

**TECHNICAL DATA SHEET**
**RG178B/U**

Flexible RG178 Coax Cable Single Shielded with Tan FEP Jacket

**Configuration**

|                                      |                            |
|--------------------------------------|----------------------------|
| Inner Conductor Material and Plating | Copper Clad Steel, Silver  |
| Dielectric Type                      | PTFE                       |
| Shield Materials                     | Silver Plated Copper Braid |
| Jacket Material and Color            | FEP, Tan                   |

**Electrical Specifications**

|                                  |              |
|----------------------------------|--------------|
| Impedance, Ohms                  | 50           |
| Velocity of Propagation, %       | 69.5         |
| Maximum Operating Frequency, GHz | 3            |
| Capacitance, pF/ft [pF/m]        | 29.4 [96.46] |
| Maximum Operating Voltage, Volts | 1,000        |

**Electrical Specifications by Frequency**
**Frequency 1**

|                                 |              |
|---------------------------------|--------------|
| Frequency, MHz                  | 100          |
| Attenuation, dB/100ft [dB/100m] | 13.8 [45.28] |

**Frequency 2**

|                                 |              |
|---------------------------------|--------------|
| Frequency, MHz                  | 400          |
| Attenuation, dB/100ft [dB/100m] | 27.8 [91.21] |

**Frequency 3**

|                                 |               |
|---------------------------------|---------------|
| Frequency, MHz                  | 1000          |
| Attenuation, dB/100ft [dB/100m] | 44.4 [145.67] |

**Frequency 4**

|                                 |               |
|---------------------------------|---------------|
| Frequency, GHz                  | 3             |
| Attenuation, dB/100ft [dB/100m] | 78.4 [257.22] |

**Mechanical Specifications**
**Temperature**

|                        |             |
|------------------------|-------------|
| Operating Range, deg C | -55 to +200 |
|------------------------|-------------|

**Inner Conductor**

|                   |                   |
|-------------------|-------------------|
| Number of Strands | 7                 |
| Material          | Copper Clad Steel |
| Plating           | Silver            |
| Diameter, in [mm] | 0.012 [0.3]       |

Click the following link (or enter part number in "SEARCH" on website) to obtain additional part information including price, inventory and certifications: [Flexible RG178 Coax Cable Single Shielded with Tan FEP Jacket RG178B/U](#)

The information contained in this document is accurate to the best of our knowledge and representative of the part described herein. It may be necessary to make modifications to the part and/or the documentation of the part, in order to implement improvements. Pasternack reserves the right to make such changes as required. Unless otherwise stated, all specifications are nominal.

TECHNICAL DATA SHEET

RG178B/U

**Dielectric:**

Type PTFE  
Diameter, in [mm] 0.034 [0.86]

**Shield:**

Number of 1  
Material 1 Silver Plated Copper Braid  
Diameter, in [mm] 0.051 [1.3]

**Jacket:**

Material FEP  
Diameter, in [mm] 0.072 [1.83]  
Color Tan  
Repeated Minimum Bend Radius, in [mm] 0.393 [9.98]  
Weight, lbs/ft [Kg/m] 0.005 [0.01]

**Compliance Certifications** (visit [www.Pasternack.com](http://www.Pasternack.com) for current document)

RoHS Compliant Yes

**Plotted and Other Data**

Notes: Values at 25 °C, sea level

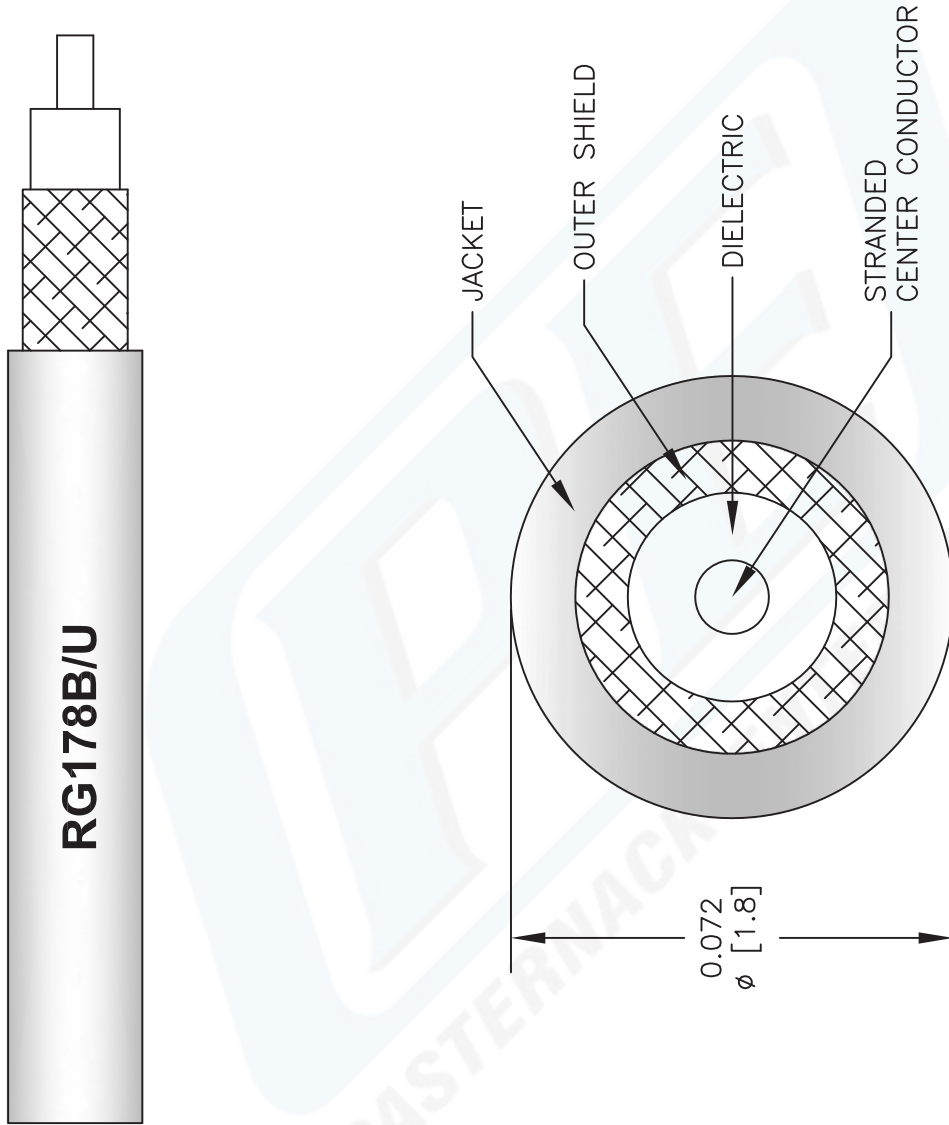
URL: <http://www.pasternack.com/flexible-0.075-rg178-50-ohm-coax-cable-fep-jacket-rg178b-u-p.aspx>

Flexible RG178 Coax Cable Single Shielded with Tan FEP Jacket from Pasternack Enterprises has same day shipment for domestic and International orders. Our RF, microwave and fiber optic products maintain a 99% availability and are part of the broadest selection in the industry.

The information contained in this document is accurate to the best of our knowledge and representative of the part described herein. It may be necessary to make modifications to the part and/or the documentation of the part, in order to implement improvements. Pasternack reserves the right to make such changes as required. Unless otherwise stated, all specifications are nominal.

# RG178B/U CAD Drawing

Flexible RG178 Coax Cable Single Shielded with Tan FEP Jacket



NOTES:  
 1. UNLESS OTHERWISE SPECIFIED ALL DIMENSIONS ARE NOMINAL.  
 2. ALL SPECIFICATIONS ARE SUBJECT TO CHANGE WITHOUT NOTICE AT ANY TIME.  
 3. DIMENSIONS ARE IN INCHES [mm].

|                              |  |                      |              |           |      |
|------------------------------|--|----------------------|--------------|-----------|------|
| DWG TITLE<br><b>RG178B/U</b> |  | CAD FILE<br>022808-A | SCALE<br>N/A | SIZE<br>A | 2233 |
| FSCM NO. 53919               |  |                      |              |           |      |


**PASTERNAK®**  
 Pasternack Enterprises, Inc.  
 P.O. Box 16759 | Irvine | CA | 92623  
**Phone:** (949) 261-1920 | **Fax:** (949) 261-7451  
**Website:** www.pasternack.com | **E-Mail:** sales@pasternack.com